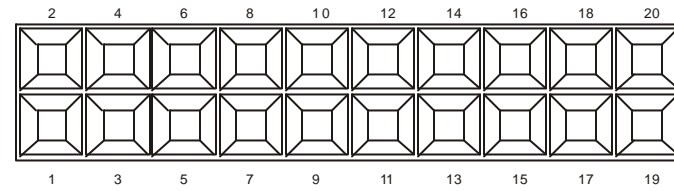
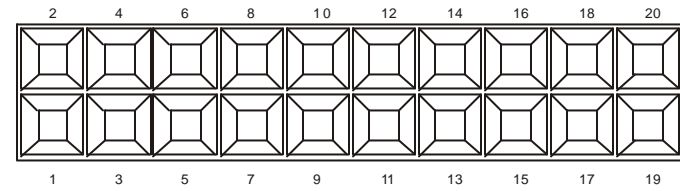


HSL HSL-DI32-DB 32-CH Discrete Input Daughter Board for HSL System

Pin Definitions



Pin #	Signal Name	Description
1	+VS	External power, +10V~+30V _{DC}
2	GND	External ground
3	NC	No connection
4	GND	External ground
5	RX+	RS-422 receiving line, positive
6	TX+	RS-422 transmission line, positive
7	RX-	RS-422 receiving line, negative
8	TX-	RS-422 transmission line, negative
9	DI0	Discrete Input Channel 0
10	DI1	Discrete Input Channel 1
11	DI2	Discrete Input Channel 2
12	DI3	Discrete Input Channel 3
13	DI4	Discrete Input Channel 4
14	DI5	Discrete Input Channel 5
15	DI6	Discrete Input Channel 6
16	DI7	Discrete Input Channel 7
17	DI8	Discrete Input Channel 8
18	DI9	Discrete Input Channel 9
19	DI10	Discrete Input Channel 10
20	DI11	Discrete Input Channel 11

Pin #	Signal Name	Description
1	DI12	Discrete Input Channel 12
2	DI13	Discrete Input Channel 13
3	DI14	Discrete Input Channel 14
4	DI15	Discrete Input Channel 15
5	DI16	Discrete Input Channel 16
6	DI17	Discrete Input Channel 17
7	DI18	Discrete Input Channel 18
8	DI19	Discrete Input Channel 19
9	DI20	Discrete Input Channel 20
10	DI21	Discrete Input Channel 21
11	DI22	Discrete Input Channel 22
12	DI23	Discrete Input Channel 23
13	DI24	Discrete Input Channel 24
14	DI25	Discrete Input Channel 25
15	DI26	Discrete Input Channel 26
16	DI27	Discrete Input Channel 27
17	DI28	Discrete Input Channel 28
18	DI29	Discrete Input Channel 29
19	DI30	Discrete Input Channel 30
20	DI31	Discrete Input Channel 31

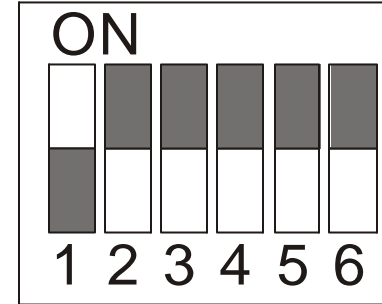
Specifications

Discrete Input								
Model	Number	Type	Input Current max.	Input Impedance	Operating Voltage		Response Time	
					ON	OFF	ON	OFF
-N	32	NPN Sinking or Dry Contact	-10mA	4.7 kΩ	9.6 V _{DC} max.	19.0 V _{DC} min.	2 ms max.	2 ms max.
-P	32	PNP Sourcing or Wet Contact	+10mA	4.7 kΩ	14.4 V _{DC} min.	5.0 max.	2 ms max.	2 ms max.
Miscellaneous								
Model	Terminal Base Option				External Power Requirement	Power Consumption	Weight	
-N	HSL-TB32-U-DIN; HSL-TB64-DIN				+10V to +30V _{DC}	1.8W	72g	
-P	HSL-TB32-U-DIN; HSL-TB64-DIN				+10V to +30V _{DC}	1.8W	72g	

LED Indication: Active DC power (Red); Link (Green); Discrete Input (Green)

DIP Switch Setting

The DI32 occupies 2 consecutive address allocations starting from odd, that is, the switch bit 1 fixed to ON.



ON = 1	100000	address 1, 2
	110000	address 3, 4

	110111	address 59, 60
	101111	address 61, 62
OFF = 0		

Discrete Input Field I/O Configuration

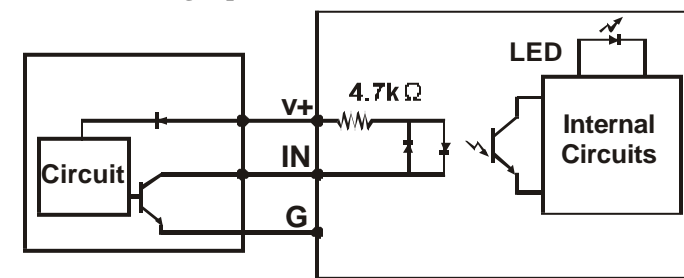
With HSL-TB32-U-DIN

Channel No.	Terminal No.	Channel No.	Terminal No.	Channel No.	Terminal No.	Channel No.	Terminal No.
0	0	8	8	16	16	24	24
1	1	9	9	17	17	25	25
2	2	10	10	18	18	26	26
3	3	11	11	19	19	27	27
4	4	12	12	20	20	28	28
5	5	13	13	21	21	29	29
6	6	14	14	22	22	30	30
7	7	15	15	23	23	31	31

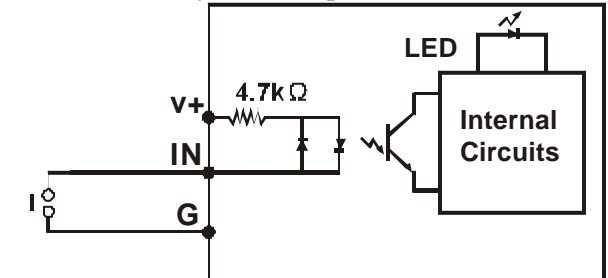
With HSL-TB64-DIN (Slot I / Slot II)

Channel No.	Terminal No.	Channel No.	Terminal No.	Channel No.	Terminal No.	Channel No.	Terminal No.
0	0 / 32	8	8 / 40	16	16 / 48	24	24 / 56
1	1 / 33	9	9 / 41	17	17 / 49	25	25 / 57
2	2 / 34	10	10 / 42	18	18 / 50	26	26 / 58
3	3 / 35	11	11 / 43	19	19 / 51	27	27 / 59
4	4 / 36	12	12 / 44	20	20 / 52	28	28 / 60
5	5 / 37	13	13 / 45	21	21 / 53	29	29 / 61
6	6 / 38	14	14 / 46	22	22 / 54	30	30 / 62
7	7 / 39	15	15 / 47	23	23 / 55	31	31 / 63

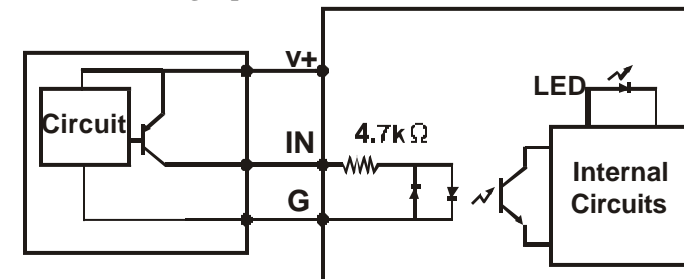
-N NPN Sinking Input



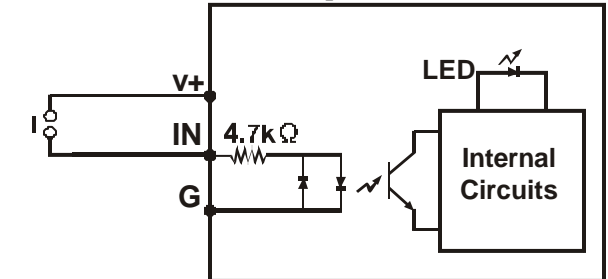
-N Dry Contact Input



-P PNP Sourcing Input



-P Wet Contact Input



Ordering Information

HSL-DI32-DB-N: 32-CH Discrete NPN Sinking Input Daughter Board
 HSL-DI32-DB-P: 32-CH Discrete PNP Sourcing Input Daughter Board

Terminal Base

HSL-TB32-U-DIN: 32-CH I/O Terminal Base with DIN Socket
 HSL-TB64-DIN: 64-CH I/O Terminal Base with DIN Socket

ADLINK on the Internet

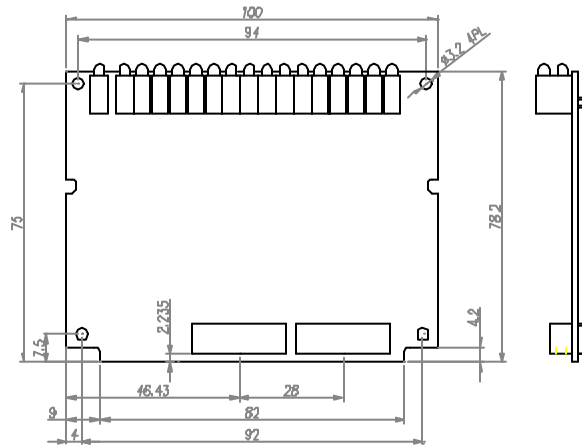
Homepage: <http://www.adlink.com.tw>
 Service: service@adlink.com.tw
 Technical Assistance: NuDAM@adlink.com.tw

Copyright © 2001 ADLINK TECHNOLOGY INC.
 TEL: 886-2-82265877 FAX: 886-2-82265717
 Contents and specification subject to change without notice.
 HSL® is a registered trademark of ADLINK TECHNOLOGY INC. Other brands of products are trademarks or registered trademarks of their respective holders.
AM-HSLDBIO002-EI.00

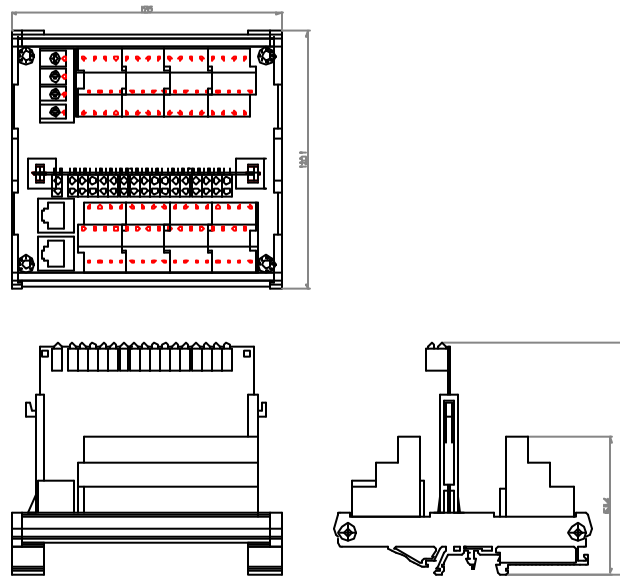


Dimension

-DB Daughter Board (100x78.2)



-DB with HSL-TB32-U-DIN (126x120.1x107.3)



-DB with HSL-TB64-DIN (168.7x120.1x107.3)

