



ORing

Quick Installation Guide

IES-A1 Series

Industrial CID2/ATEX Unmanaged Ethernet Switch

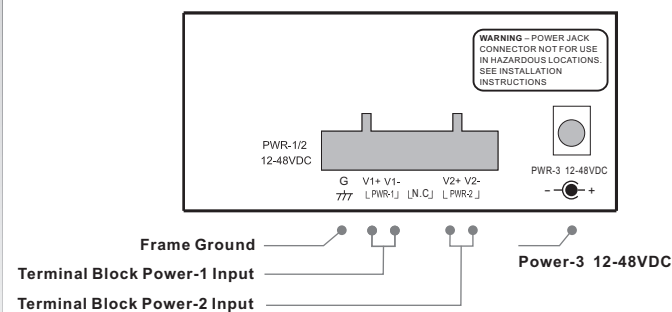
Introduction

IES-A1 series are unmanaged Ethernet switches with 6x10/100Base-T(X) and 2x100Base-FX, 10/100/1000Base-T(X), 1000Base-SX or 1000Base-LX ports which is specifically designed for the CID2/ATEX certified with hazardous locations requirement. IES-A1 series support redundant power input and surge protection. The wide operating temperature range from -40°C to 70°C and CID2/ATEX certified can satisfy most of harsh or hazardous locations operating environments.

Features

- > CID2 and ATEX compliant for harsh industrial environments application
- > IES-A1080 provide 8x10/100Base-T(X) ports
- > IES-A1062GT provide 6x10/100Base-T(X) and 2x10/100/1000Base-T(X) ports
- > IES-A1062FX series provide 6x10/100Base-T(X) and 2x100Base-FX fiber ports
- > IES-A1062GF series provide 6x10/100Base-T(X) and 2x1000Base-X fiber ports
- > Triple redundant DC power inputs of terminal block and power jack *Note*
- > Support auto-negotiation and auto-MDI/MDI-X
- > Support store and forward transmission
- > Support flow control
- > Rigid IP-30 housing design
- > DIN-Rail and wall mounting enabled

Power Connection Guide



Note: WARNING – POWER JACK CONNECTOR NOT FOR USE IN HAZARDOUS LOCATIONS. SEE INSTALLATION INSTRUCTIONS

Specifications

ORing Switch Model	IES-A1080	IES-A1062GT	IES-A1062FX-MM -SC	IES-A1062FX-SS -SC	IES-A1062GF-MM -SC	IES-A1062GF-SS -SC
Physical Ports						
10/100 Base-T(X) Ports in RJ45 Auto MDI/MDIX	8	6	6	6	6	6
10/100/1000Base-T(X) Ports in RJ45 Auto MDI/MDIX	-	2	-	-	-	-
Fiber Ports Number	-	-	2	2	2	2
Fiber Ports Standard	-	-	100Base-FX	100Base-FX	1000Base-SX	1000Base-LX
Fiber Mode	-	-	Multi-mode	Single-mode	Multi-mode	Single-mode
Fiber Diameter (µm)	-	-	62.5/125 µm 50/125 µm	9/125 µm	62.5/125 µm 50/125 µm	9/125 µm
Fiber Optical Connector	-	-	SC	SC	SC	SC
Typical Distance (Km)	-	-	2 Km	30 Km	0.55 Km	10 Km
Wavelength (nm)	-	-	1310 nm	1310 nm	850 nm	1310 nm
Max. Output Optical Power (dbm)	-	-	-14 dbm	-8 dbm	-4 dbm	-3 dbm
Min. Output Optical Power (dbm)	-	-	-23.5 dbm	-15 dbm	-9.5 dbm	-9.5 dbm
Max. Input Optical Power (Sensitivity)	-	-	0 dbm	0 dbm	0 dbm	-3 dbm
Min. Input Optical Power (Saturation)	-	-	-31 dbm	-34 dbm	-18 dbm	-20 dbm
Link Budget (db)	-	-	7.5 db	19 db	8.5 db	10.5 db
Technology						
Ethernet Standards	IEEE 802.3 for 10Base-T IEEE 802.3u for 100Base-Tx and 100Base-FX IEEE 802.3z for 1000Base-T IEEE 802.3ab for 1000Base-X IEEE 802.3x for Flow control					
MAC Table	8192 MAC addresses					
Processing	Store-and-Forward					
LED Indicators						
Power Indicator	Green: Power LED x3					
Fault Indicator	Amber: Indicate power failed					
10/100 Base-T(X) RJ45 Port Indicator	Green for port Link/Act. Amber for Duplex/Collision					
10/100/1000Base-T(X) / Fiber Port Indicator	Green for port Link/Act. Amber for Link					
Power						
Redundant Input power	Triple DC inputs. 12-48VDC on 7-pin terminal block, 12-45VDC on power jack *Note*					
Power consumption(Typ.)	4 Watts	7 Watts	8 Watts	8 Watts	6 Watts	6 Watts
Overload current protection	Present					
Reverse polarity protection	Present on terminal block					
Physical Characteristic						
Enclosure	IP-30					
Dimension (W x D x H)	52(W)x106(D)x144(H) mm (2.05x4.17x5.67 inch.)					
Weight (g)	666 g	677 g	680 g	680 g	685 g	685 g
Environmental						
Storage Temperature	-40 to 85°C (-40 to 185°F)					
Operating Temperature	-40 to 70°C (-40 to 158°F)					
Operating Humidity	5% to 95% Non-condensing					
Regulatory Approvals						
EMI	FCC Part 15, CISPR (EN55022) class A					
EMS	EN61000-4-2 (ESD), EN61000-4-3 (RS), EN61000-4-4 (EFT), EN61000-4-5 (Surge), EN61000-4-6 (CS), EN61000-4-8, EN61000-4-11					
Shock	IEC60068-2-27					
Free Fall	IEC60068-2-32					
Vibration	IEC60068-2-6					
Safety	EN60950-1, UL508 (E331061), UL/cUL Class I Division 2 Group A, B, C and D, 13 ATEX 1317577X					
Warranty	5 years					

Condition of safe use:

1. Subject devices are to be installed in an ATEX Certified IP54 enclosure and accessible only by the use of a tool.
2. Subject devices are for use in an area of not more than pollution degree 2 in accordance with IEC 60664-1.
3. Provision shall be made to prevent the rated voltage being exceeded by the transient disturbances of more than 140% of the peak rated voltage.

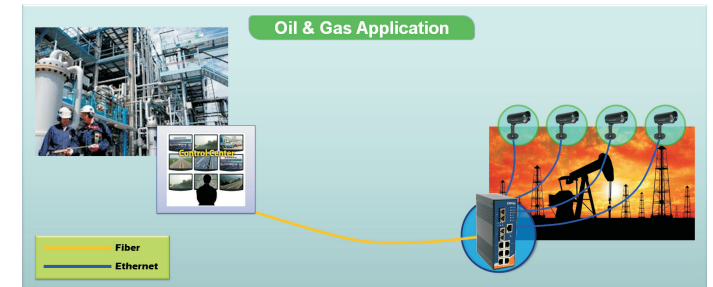
Installation Instruction:

1. Cable temperature rating not less than 104°C
2. The terminal Block (J9) – Cat. No. 5EHDRC-07P by Dinkle Enterprise Co., Ltd., rated 300 V, 15 A, 105°C, FW-1 mating with Cat. No. 5ESDV-07P by Dinkle Enterprise Co., Ltd., rated 300 V, 15 A, 105°C, FW-2, suitable for 28-12 AWG wire size, torque value 4.5 lb-in.

Practical Operation

IES-A1 series can be used in connecting several Ethernet devices like Ethernet I/O, IP-Camera or other Ethernet switches. In addition, there are three different power inputs to enhance its reliability, two supplied by terminal block, and one by power jack *Note* to avoid interruption caused by power down. When the primary DC power input fails, the backup power input will take over immediately to guarantee a non-stop operation.

Connections of Ethernet devices



ORing Model Name: Industrial CID2/ATEX 8-port unmanaged Ethernet switch

ORing Industrial Networking Corp.
3F 542-2 Zhongzheng Road, Xindian District, New Taipei City, 231 Taiwan

SN: 013242000372

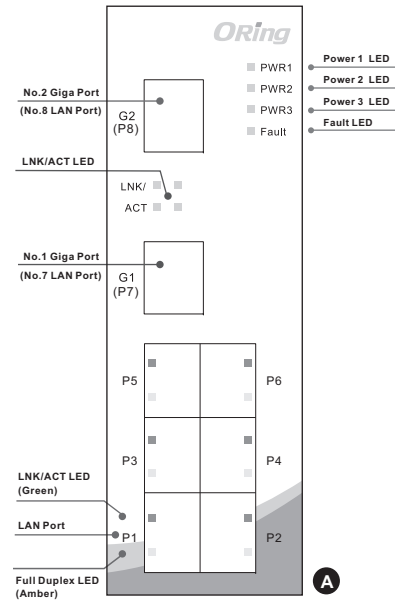
This device is compliance with part 15 of the FCC rules. Operation is subject to the following two conditions:
(1) This device may not cause harmful interference.
(2) This device must accept any interference received, including interference that may cause undesired operation.

Power input : 12-48VDC

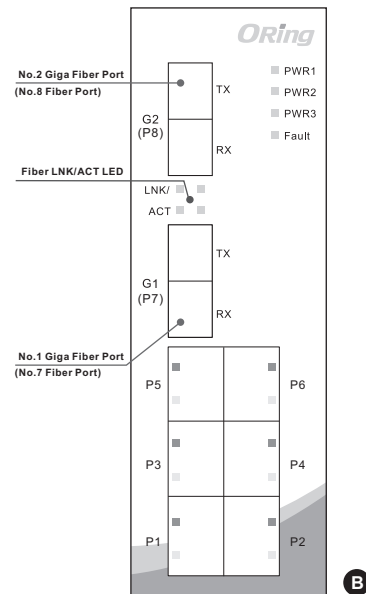
UL LISTED, CE, FCC, RoHS, ATEX, IEC, ISO 9001, ISO 14001, ISO 45001, ISO 27001, ISO 22301, ISO 27701, ISO 27002, ISO 27005, ISO 27011, ISO 27017, ISO 27018, ISO 27019, ISO 27021, ISO 27022, ISO 27023, ISO 27024, ISO 27025, ISO 27026, ISO 27027, ISO 27028, ISO 27029, ISO 27030, ISO 27031, ISO 27032, ISO 27033, ISO 27034, ISO 27035, ISO 27036, ISO 27037, ISO 27038, ISO 27039, ISO 27040, ISO 27041, ISO 27042, ISO 27043, ISO 27044, ISO 27045, ISO 27046, ISO 27047, ISO 27048, ISO 27049, ISO 27050, ISO 27051, ISO 27052, ISO 27053, ISO 27054, ISO 27055, ISO 27056, ISO 27057, ISO 27058, ISO 27059, ISO 27060, ISO 27061, ISO 27062, ISO 27063, ISO 27064, ISO 27065, ISO 27066, ISO 27067, ISO 27068, ISO 27069, ISO 27070, ISO 27071, ISO 27072, ISO 27073, ISO 27074, ISO 27075, ISO 27076, ISO 27077, ISO 27078, ISO 27079, ISO 27080, ISO 27081, ISO 27082, ISO 27083, ISO 27084, ISO 27085, ISO 27086, ISO 27087, ISO 27088, ISO 27089, ISO 27090, ISO 27091, ISO 27092, ISO 27093, ISO 27094, ISO 27095, ISO 27096, ISO 27097, ISO 27098, ISO 27099, ISO 27100, ISO 27101, ISO 27102, ISO 27103, ISO 27104, ISO 27105, ISO 27106, ISO 27107, ISO 27108, ISO 27109, ISO 27110, ISO 27111, ISO 27112, ISO 27113, ISO 27114, ISO 27115, ISO 27116, ISO 27117, ISO 27118, ISO 27119, ISO 27120, ISO 27121, ISO 27122, ISO 27123, ISO 27124, ISO 27125, ISO 27126, ISO 27127, ISO 27128, ISO 27129, ISO 27130, ISO 27131, ISO 27132, ISO 27133, ISO 27134, ISO 27135, ISO 27136, ISO 27137, ISO 27138, ISO 27139, ISO 27140, ISO 27141, ISO 27142, ISO 27143, ISO 27144, ISO 27145, ISO 27146, ISO 27147, ISO 27148, ISO 27149, ISO 27150, ISO 27151, ISO 27152, ISO 27153, ISO 27154, ISO 27155, ISO 27156, ISO 27157, ISO 27158, ISO 27159, ISO 27160, ISO 27161, ISO 27162, ISO 27163, ISO 27164, ISO 27165, ISO 27166, ISO 27167, ISO 27168, ISO 27169, ISO 27170, ISO 27171, ISO 27172, ISO 27173, ISO 27174, ISO 27175, ISO 27176, ISO 27177, ISO 27178, ISO 27179, ISO 27180, ISO 27181, ISO 27182, ISO 27183, ISO 27184, ISO 27185, ISO 27186, ISO 27187, ISO 27188, ISO 27189, ISO 27190, ISO 27191, ISO 27192, ISO 27193, ISO 27194, ISO 27195, ISO 27196, ISO 27197, ISO 27198, ISO 27199, ISO 27200, ISO 27201, ISO 27202, ISO 27203, ISO 27204, ISO 27205, ISO 27206, ISO 27207, ISO 27208, ISO 27209, ISO 27210, ISO 27211, ISO 27212, ISO 27213, ISO 27214, ISO 27215, ISO 27216, ISO 27217, ISO 27218, ISO 27219, ISO 27220, ISO 27221, ISO 27222, ISO 27223, ISO 27224, ISO 27225, ISO 27226, ISO 27227, ISO 27228, ISO 27229, ISO 27230, ISO 27231, ISO 27232, ISO 27233, ISO 27234, ISO 27235, ISO 27236, ISO 27237, ISO 27238, ISO 27239, ISO 27240, ISO 27241, ISO 27242, ISO 27243, ISO 27244, ISO 27245, ISO 27246, ISO 27247, ISO 27248, ISO 27249, ISO 27250, ISO 27251, ISO 27252, ISO 27253, ISO 27254, ISO 27255, ISO 27256, ISO 27257, ISO 27258, ISO 27259, ISO 27260, ISO 27261, ISO 27262, ISO 27263, ISO 27264, ISO 27265, ISO 27266, ISO 27267, ISO 27268, ISO 27269, ISO 27270, ISO 27271, ISO 27272, ISO 27273, ISO 27274, ISO 27275, ISO 27276, ISO 27277, ISO 27278, ISO 27279, ISO 27280, ISO 27281, ISO 27282, ISO 27283, ISO 27284, ISO 27285, ISO 27286, ISO 27287, ISO 27288, ISO 27289, ISO 27290, ISO 27291, ISO 27292, ISO 27293, ISO 27294, ISO 27295, ISO 27296, ISO 27297, ISO 27298, ISO 27299, ISO 27300, ISO 27301, ISO 27302, ISO 27303, ISO 27304, ISO 27305, ISO 27306, ISO 27307, ISO 27308, ISO 27309, ISO 27310, ISO 27311, ISO 27312, ISO 27313, ISO 27314, ISO 27315, ISO 27316, ISO 27317, ISO 27318, ISO 27319, ISO 27320, ISO 27321, ISO 27322, ISO 27323, ISO 27324, ISO 27325, ISO 27326, ISO 27327, ISO 27328, ISO 27329, ISO 27330, ISO 27331, ISO 27332, ISO 27333, ISO 27334, ISO 27335, ISO 27336, ISO 27337, ISO 27338, ISO 27339, ISO 27340, ISO 27341, ISO 27342, ISO 27343, ISO 27344, ISO 27345, ISO 27346, ISO 27347, ISO 27348, ISO 27349, ISO 27350, ISO 27351, ISO 27352, ISO 27353, ISO 27354, ISO 27355, ISO 27356, ISO 27357, ISO 27358, ISO 27359, ISO 27360, ISO 27361, ISO 27362, ISO 27363, ISO 27364, ISO 27365, ISO 27366, ISO 27367, ISO 27368, ISO 27369, ISO 27370, ISO 27371, ISO 27372, ISO 27373, ISO 27374, ISO 27375, ISO 27376, ISO 27377, ISO 27378, ISO 27379, ISO 27380, ISO 27381, ISO 27382, ISO 27383, ISO 27384, ISO 27385, ISO 27386, ISO 27387, ISO 27388, ISO 27389, ISO 27390, ISO 27391, ISO 27392, ISO 27393, ISO 27394, ISO 27395, ISO 27396, ISO 27397, ISO 27398, ISO 27399, ISO 27400, ISO 27401, ISO 27402, ISO 27403, ISO 27404, ISO 27405, ISO 27406, ISO 27407, ISO 27408, ISO 27409, ISO 27410, ISO 27411, ISO 27412, ISO 27413, ISO 27414, ISO 27415, ISO 27416, ISO 27417, ISO 27418, ISO 27419, ISO 27420, ISO 27421, ISO 27422, ISO 27423, ISO 27424, ISO 27425, ISO 27426, ISO 27427, ISO 27428, ISO 27429, ISO 27430, ISO 27431, ISO 27432, ISO 27433, ISO 27434, ISO 27435, ISO 27436, ISO 27437, ISO 27438, ISO 27439, ISO 27440, ISO 27441, ISO 27442, ISO 27443, ISO 27444, ISO 27445, ISO 27446, ISO 27447, ISO 27448, ISO 27449, ISO 27450, ISO 27451, ISO 27452, ISO 27453, ISO 27454, ISO 27455, ISO 27456, ISO 27457, ISO 27458, ISO 27459, ISO 27460, ISO 27461, ISO 27462, ISO 27463, ISO 27464, ISO 27465, ISO 27466, ISO 27467, ISO 27468, ISO 27469, ISO 27470, ISO 27471, ISO 27472, ISO 27473, ISO 27474, ISO 27475, ISO 27476, ISO 27477, ISO 27478, ISO 27479, ISO 27480, ISO 27481, ISO 27482, ISO 27483, ISO 27484, ISO 27485, ISO 27486, ISO 27487, ISO 27488, ISO 27489, ISO 27490, ISO 27491, ISO 27492, ISO 27493, ISO 27494, ISO 27495, ISO 27496, ISO 27497, ISO 27498, ISO 27499, ISO 27500, ISO 27501, ISO 27502, ISO 27503, ISO 27504, ISO 27505, ISO 27506, ISO 27507, ISO 27508, ISO 27509, ISO 27510, ISO 27511, ISO 27512, ISO 27513, ISO 27514, ISO 27515, ISO 27516, ISO 27517, ISO 27518, ISO 27519, ISO 27520, ISO 27521, ISO 27522, ISO 27523, ISO 27524, ISO 27525, ISO 27526, ISO 27527, ISO 27528, ISO 27529, ISO 27530, ISO 27531, ISO 27532, ISO 27533, ISO 27534, ISO 27535, ISO 27536, ISO 27537, ISO 27538, ISO 27539, ISO 27540, ISO 27541, ISO 27542, ISO 27543, ISO 27544, ISO 27545, ISO 27546, ISO 27547, ISO 27548, ISO 27549, ISO 27550, ISO 27551, ISO 27552, ISO 27553, ISO 27554, ISO 27555, ISO 27556, ISO 27557, ISO 27558, ISO 27559, ISO 27560, ISO 27561, ISO 27562, ISO 27563, ISO 27564, ISO 27565, ISO 27566, ISO 27567, ISO 27568, ISO 27569, ISO 27570, ISO 27571, ISO 27572, ISO 27573, ISO 27574, ISO 27575, ISO 27576, ISO 27577, ISO 27578, ISO 27579, ISO 27580, ISO 27581, ISO 27582, ISO 27583, ISO 27584, ISO 27585, ISO 27586, ISO 27587, ISO 27588, ISO 27589, ISO 27590, ISO 27591, ISO 27592, ISO 27593, ISO 27594, ISO 27595, ISO 27596, ISO 27597, ISO 27598, ISO 27599, ISO 27600, ISO 27601, ISO 27602, ISO 27603, ISO 27604, ISO 27605, ISO 27606, ISO 27607, ISO 27608, ISO 27609, ISO 27610, ISO 27611, ISO 27612, ISO 27613, ISO 27614, ISO 27615, ISO 27616, ISO 27617, ISO 27618, ISO 27619, ISO 27620, ISO 27621, ISO 27622, ISO 27623, ISO 27624, ISO 27625, ISO 27626, ISO 27627, ISO 27628, ISO 27629, ISO 27630, ISO 27631, ISO 27632, ISO 27633, ISO 27634, ISO 27635, ISO 27636, ISO 27637, ISO 27638, ISO 27639, ISO 27640, ISO 27641, ISO 27642, ISO 27643, ISO 27644, ISO 27645, ISO 27646, ISO 27647, ISO 27648, ISO 27649, ISO 27650, ISO 27651, ISO 27652, ISO 27653, ISO 27654, ISO 27655, ISO 27656, ISO 27657, ISO 27658, ISO 27659, ISO 27660, ISO 27661, ISO 27662, ISO 27663, ISO 27664, ISO 27665, ISO 27666, ISO 27667, ISO 27668, ISO 27669, ISO 27670, ISO 27671, ISO 27672, ISO 27673, ISO 27674, ISO 27675, ISO 27676, ISO 27677, ISO 27678, ISO 27679, ISO 27680, ISO 27681, ISO 27682, ISO 27683, ISO 27684, ISO 27685, ISO 27686, ISO 27687, ISO 27688, ISO 27689, ISO 27690, ISO 27691, ISO 27692, ISO 27693, ISO 27694, ISO 27695, ISO 27696, ISO 27697, ISO 27698, ISO 27699, ISO 27700, ISO 27701, ISO 27702, ISO 27703, ISO 27704, ISO 27705, ISO 27706, ISO 27707, ISO 27708, ISO 27709, ISO 27710, ISO 27711, ISO 27712, ISO 27713, ISO 27714, ISO 27715, ISO 27716, ISO 27717, ISO 27718, ISO 27719, ISO 27720, ISO 27721, ISO 27722, ISO 27723, ISO 27724, ISO 27725, ISO 27726, ISO 27727, ISO 27728, ISO 27729, ISO 27730, ISO 27731, ISO 27732, ISO 27733, ISO 27734, ISO 27735, ISO 27736, ISO 27737, ISO 27738, ISO 27739, ISO 27740, ISO 27741, ISO 27742, ISO 27743, ISO 27744, ISO 27745, ISO 27746, ISO 27747, ISO 27748, ISO 27749, ISO 27750, ISO 27751, ISO 27752, ISO 27753, ISO 27754, ISO 27755, ISO 27756, ISO 27757, ISO 27758, ISO 27759, ISO 27760, ISO 27761, ISO 27762, ISO 27763, ISO 27764, ISO 27765, ISO 27766, ISO 27767, ISO 27768, ISO 27769, ISO 27770, ISO 27771, ISO 27772, ISO 27773, ISO 27774, ISO 27775, ISO 27776, ISO 27777, ISO 27778, ISO 27779, ISO 27780, ISO 27781, ISO 27782, ISO 27783, ISO 27784, ISO 27785, ISO 27786, ISO 27787, ISO 27788, ISO 27789, ISO 27790, ISO 27791, ISO 27792, ISO 27793, ISO 27794, ISO 27795, ISO 27796, ISO 27797, ISO 27798, ISO 27799, ISO 27800, ISO 27801, ISO 27802, ISO 27803, ISO 27804, ISO 27805, ISO 27806, ISO 27807, ISO 27808, ISO 27809, ISO 27810, ISO 27811, ISO 27812, ISO 27813, ISO 27814, ISO 27815, ISO 27816, ISO 27817, ISO 27818, ISO 27819, ISO 27820, ISO 27821, ISO 27822, ISO 27823, ISO 27824, ISO 27825, ISO 27826, ISO 27827, ISO 27828, ISO 27829, ISO 27830, ISO 27831, ISO 27832, ISO 27833, ISO 27834, ISO 27835, ISO 27836, ISO 27837, ISO 27838, ISO 27839, ISO 27840, ISO 27841, ISO 27842, ISO 27843, ISO 27844, ISO 27845, ISO 27846, ISO 27847, ISO 27848, ISO 27849, ISO 27850, ISO 27851, ISO 27852, ISO 27853, ISO 27854, ISO 27855, ISO 27856, ISO 27857, ISO 27858, ISO 27859, ISO 27860, ISO 27861, ISO 27862, ISO 27863, ISO 27864, ISO 27865, ISO 27866, ISO 27867, ISO 27868, ISO 27869, ISO 27870, ISO 27871, ISO 27872, ISO 27873, ISO 27874, ISO 27875, ISO 27876, ISO 27877, ISO 27878, ISO 27879, ISO 27880, ISO 27881, ISO 27882, ISO 27883, ISO 27884, ISO 27885, ISO 27886, ISO 27887, ISO 27888, ISO 27889, ISO 27890, ISO 27891, ISO 27892, ISO 27893, ISO 27894, ISO 27895, ISO 27896, ISO 27897, ISO 27898, ISO 27899, ISO 27900, ISO 27901, ISO 27902, ISO 27903, ISO 27904, ISO 27905, ISO 27906, ISO 27907, ISO 27908, ISO 27909, ISO 27910, ISO 27911, ISO 27912, ISO 27913, ISO 27914, ISO 27915, ISO 27916, ISO 27917, ISO 27918, ISO 27919, ISO 27920, ISO 27921, ISO 27922, ISO 27923, ISO 27924, ISO 27925, ISO 27926, ISO 27927, ISO 27928, ISO 27929, ISO 27930, ISO 27931, ISO 27932, ISO 27933, ISO 27934, ISO 27935, ISO 27936, ISO 27937, ISO 27938, ISO 27939, ISO 27940, ISO 27941, ISO 27942, ISO 27943, ISO 27944, ISO 27945, ISO 27946, ISO 27947, ISO 27948, ISO 27949, ISO 27950, ISO 27951, ISO 27952, ISO 27953, ISO 27954, ISO 27955, ISO 27956, ISO 27957, ISO 27958, ISO 27959, ISO 27960, ISO 27961, ISO 27962, ISO 27963, ISO 27964, ISO 27965, ISO 27966, ISO 27967, ISO 27968, ISO 27969, ISO 27970, ISO 27971, ISO 27972, ISO 27973, ISO 27974, ISO 27975, ISO 27976, ISO 27977, ISO 27978, ISO 27979, ISO 27980, ISO 27981, ISO 27982, ISO 27983, ISO 27984, ISO 27985, ISO 27986, ISO

Front Panel

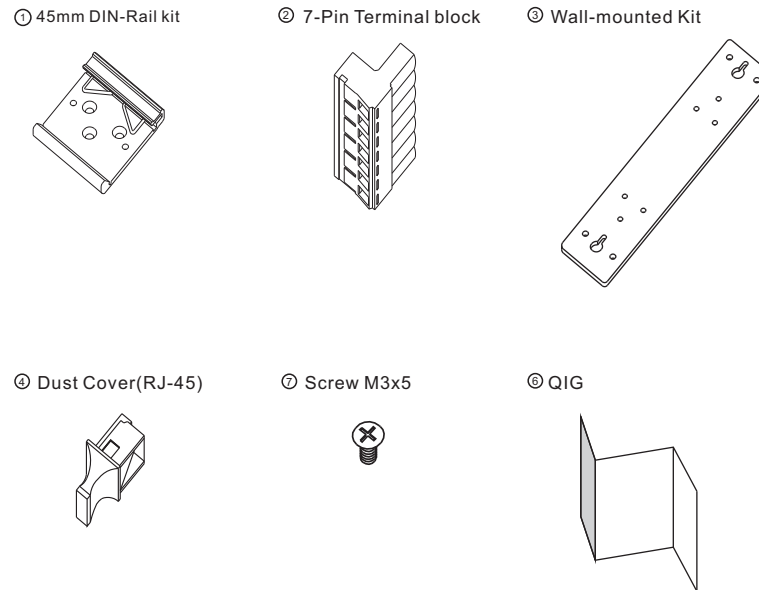
Non-Fiber Product



Fiber Product



Accessory

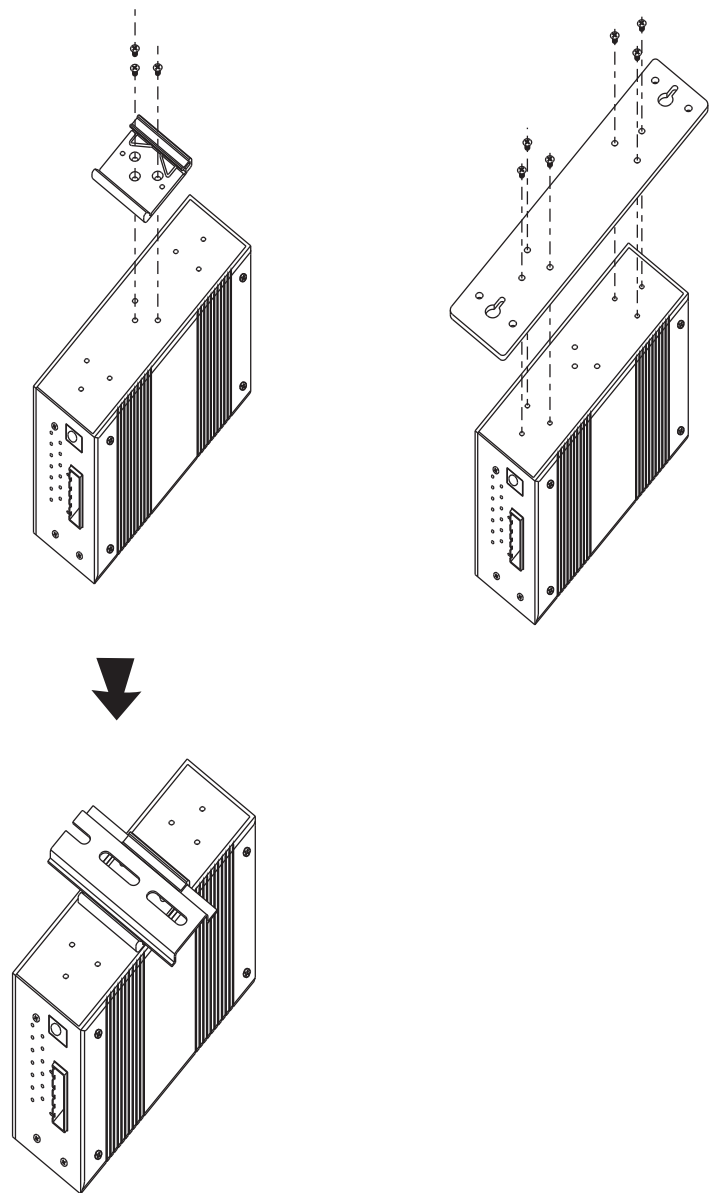


Installation

Standards: EN 60079-0:2012, EN 60079-15:2010

Din-Rail Install Step

Wall-mounted Install Step



Packing list

Model name	Front Panel	Model Description	Accessory
IES-A1080	A	Industrial C1D2/ATEX 8-port unmanaged Ethernet switch with 8x10/100Base-T(X)	⊙X 1, ⊙X 1, ⊙X 1, ⊙X 8, ⊙X 6, ⊙X 1
IES-A1062GT	A	Industrial C1D2/ATEX 8-port unmanaged Ethernet switch with 6x10/100Base-T(X) and 2x10/100/1000Base-T(X)	⊙X 1, ⊙X 1, ⊙X 1, ⊙X 8, ⊙X 6, ⊙X 1
IES-A1062FX-MM-SC	B	Industrial C1D2/ATEX 8-port unmanaged Ethernet switch with 6x10/100Base-T(X) and 2x100Base-FX, multi-mode	⊙X 1, ⊙X 1, ⊙X 1, ⊙X 6, ⊙X 6, ⊙X 1
IES-A1062FX-SS-SC	B	Industrial C1D2/ATEX 8-port unmanaged Ethernet switch with 6x10/100Base-T(X) and 2x100Base-FX, single-mode	⊙X 1, ⊙X 1, ⊙X 1, ⊙X 6, ⊙X 6, ⊙X 1
IES-A1062GF-MM-SC	B	Industrial C1D2/ATEX 8-port unmanaged Ethernet switch with 6x10/100Base-T(X) and 2x1000Base-SX, multi-mode	⊙X 1, ⊙X 1, ⊙X 1, ⊙X 6, ⊙X 6, ⊙X 1
IES-A1062GF-SS-SC	B	Industrial C1D2/ATEX 8-port unmanaged Ethernet switch with 6x10/100Base-T(X) and 2x1000Base-LX, single-mode	⊙X 1, ⊙X 1, ⊙X 1, ⊙X 6, ⊙X 6, ⊙X 1