

Industrial Panel PC

15" Ultra Slim IP 65 Stainless Steel Fanless Panel PC

APC-3596



Features

- Water Proof Solution, totally IP 65 rating
- Support Intel Celeron M 1GHz up to Pentium M 1.6GHz CPU
- 15" High Brightness TFT LCD, 400 cd/m²
- Sealed resistive touch screen
- Support Mini-PCI, PCMCIA (optional), Compact Flash Type-II
- Space for 1 x 2.5" HDD
- Support VESA 75 mount
- DC 11~28V wide range power input



Totally IP 65



System Specifications

CPU	Intel Celeron M 1GHz up to Pentium M 1.6GHz
DRAM	200/266-pin DDR SO DIMM up to 1GB
Storage	Space for 1x 2.5" HDD
Expansion	MiniPCI slot x 1, optional PCMCIA
Fanless / Fan	Fanless
Touch screen	Analog resistive (optional)
Basic I/O ports	1 x DC power input, 1 x PS/2 KB & mouse, 1 x Ethernet Port (10/100MB), 2 x USB 2.0
Standard I/O ports	1 x DC power input, 1 x PS/2 KB & mouse, 1 x Ethernet Port (10/100MB), 2 x USB 2.0, 2 x COM
Full function I/O ports	1 x DC power input, 1 x PS/2 KB & mouse, 1 x Ethernet Port (10/100MB), 2 x USB 2.0, 2 x COM, 1 x VGA, 1 x Audio

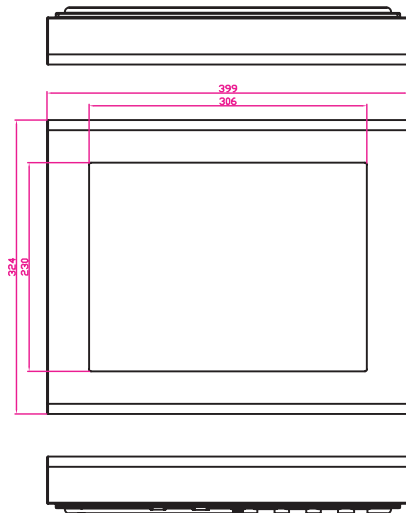
Display Specifications

LCD	15" XGA
Resolution	1024x768
Luminance	400 cd/m ²
Backlight Lifetime	50,000hrs
Dimensions	399(W) x 324(H) x 63(D)mm

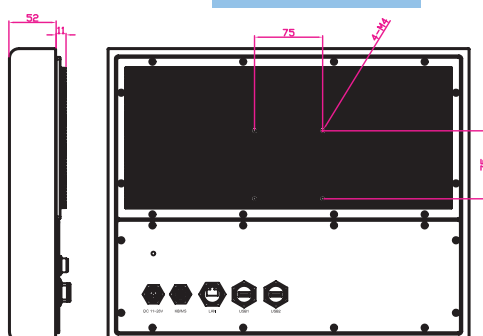
Mechanical Specifications

Construction	Stainless steel enclosure
Power input	DC 11~28V
Operating Temperature	0~50 °C
Storage Temperature	-20~60 °C
Relative Humidity	5~90% @40 °C non-condensing
Rating	NEMA 4/IP 65 compliant front bezel
Certificate	Meet CE / FCC Class A
Mounting	VESA 75

Dimensions



Basic I/O



Standard I/O

