

IDS-5011

>> Industrial 1-port RS232 to 1-port 10/100Base-T(X) Device Server

- Redundant multiple host devices: 5 simultaneous in Virtual COM, TCP Server, TCP Client mode, UDP
- NAT-pass through: User can manage IDS-5011 through NAT router
- Redundant Power Inputs: 12~48VDC on power jack and terminal block
- Secured Management by HTTPS and SSH
- Versatile Modes: Virtual Com, Serial Tunnel, TCP Server, TCP Client, UDP
- Event Warning by Syslog, Email, SNMP trap, and Beeper
- Various Windows O.S. supported: Windows NT/2000/ XP/ 2003/VISTA



> Features

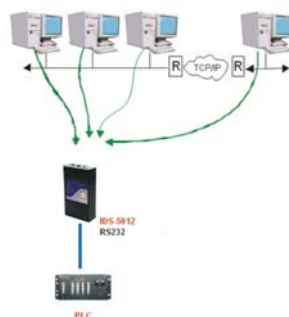
- Redundant 5 multiple host devices supported to protect your industrial network
- Versatile modes & event alarm by e-mail
- HTTPs & SSH protocol supported for secured management
- NAT router pass through
- IP table to prevent access from unauthorized IP address
- Configurable by Web-based and Windows utility (**DS-Tool**)
- Dual redundant DC power inputs of terminal block and power jack
- Rigid IP-30 housing design
- DIN-Rail and panel mounting enabled

> Introduction

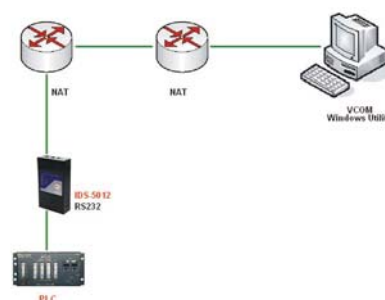
IDS-5011 is an innovative 1 port RS232 to 1 port LAN device server. To assure the agility and security of critical data, IDS-5011 offers many powerful features for HW & SW redundant functions. IDS-5011 can simultaneously transfer data into 5 host PCs. This feature can assure all critical data that saved in different host PCs to avoid Ethernet break or host PCs failure. Secondly, IDS-5011 provides dual redundant power inputs on DC power jack and terminal block. IDS-5011 also provides NAT pass through function so that users are able to manage IDS-5011 inside or outside the NAT router. It is easy for different IP domain users to use IDS-5011. Therefore, IDS-5011 is one of the best communication redundant solutions for application of serial devices.

> DS-Tool

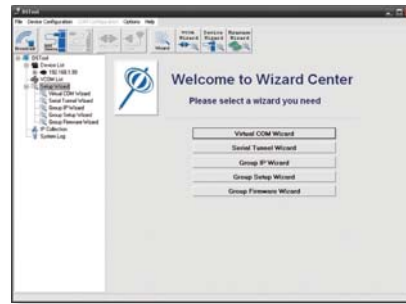
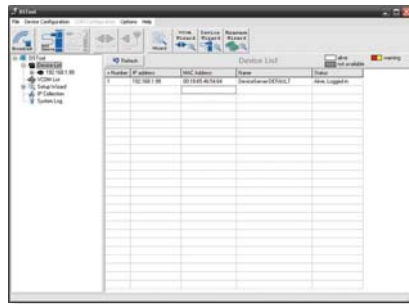
In practical operation of serial device servers, Windows utility (DS-Tool) is supported. This utility is very helpful for you to manage and monitor all of industrial device servers on the industrial network.



Network connection

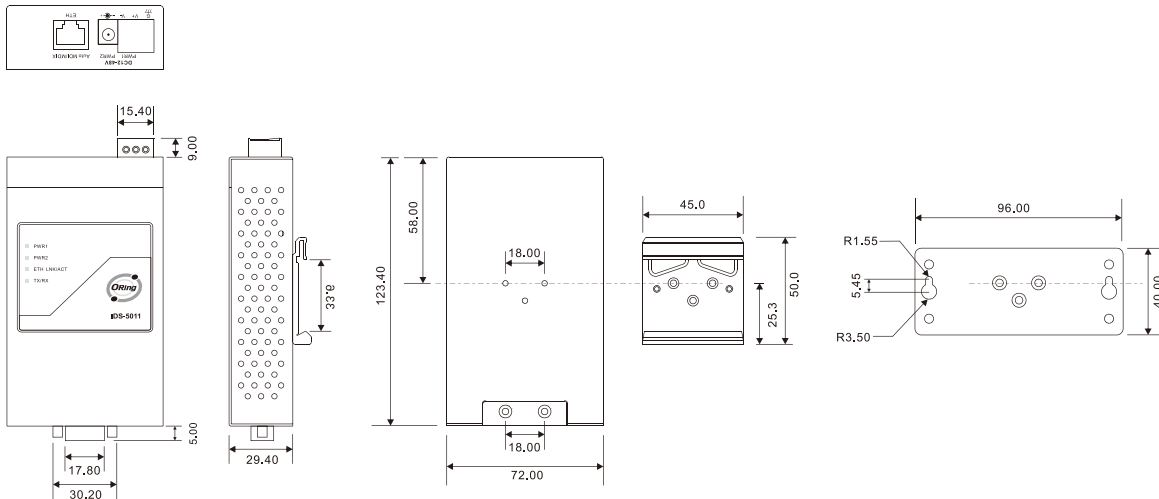


Topology View



Monitoring and Configuration interface

> Dimension



Unit=mm

> Specifications

ORing Device Server Model	IDS-5011
Physical Ports	
10/100Base-T(X) Ports in RJ45 Auto MDI/MDIX	1
Serial Ports	
Connector	DB9 x 1
Operation Mode	RS232
Serial Baud Rate	110 bps to 460.8 Kbps
Data Bits	5, 6, 7, 8
Parity	odd, even, none, mark, space
Stop Bits	1, 1.5, 2
RS-232	TxD, RxD, RTS, CTS, DTR, DSR, DCD, RI, GND
Flow Control	XON/XOFF, RTS/CTS, DTR/DSR
LED indicators	
Power indicator	PWR 1(2) / Ready: Red On: Power is on and booting up. Red Blinking: Indicates an IP conflict, or DHCP or BOOTP server did not respond properly. Green On: Power is on and functioning Normally. Green Blinking: Located by Administrator.
10/100Base-T(X) RJ45 port indicator	Green for port Link/Act at 100Mbps. Amber for port Link/Act at 10Mbps.
Serial TX / RX LEDs:	Red: Serial port is receiving data Green: Serial port is transmitting data

Power	
Redundant Input power	Dual DC inputs. 12-48VDC on 3-pin terminal block and power jack
Power consumption (Typ.)	4 watts
Overload current protection	Present
Physical Characteristic	
Enclosure	IP-30
Dimension (W x D x H)	72(W)x29.4(D)x123.4(H) mm (2.83x1.16x4.86 inch.)
Weight (g)	327 g
Environmental	
Storage Temperature	-40 to 85°C(-40 to 185°F)
Operating Temperature	-10 to 60°C (14 to 140°F)
Operating Humidity	5% to 95% Non-condensing
Reverse polarity protection	Present on terminal block
Regulatory approvals	
EMI	FCC Part 15, CISPR (EN55022) class A
EMS	EN61000-4-2 (ESD), EN61000-4-3 (RS), EN61000-4-4 (EFT), EN61000-4-5 (Surge), EN61000-4-6 (CS), EN61000-4-8, EN61000-4-11
Shock	IEC60068-2-27
Free Fall	IEC60068-2-32
Vibration	IEC60068-2-6
Safety	EN60950
Warranty	
	5 years

> Ordering Information

IDS-50 **A** **B**

Code Definition	Serial Port Number	Ethernet Port Number
Option	- 1 : 1 port	- 1 : 1 port - 2 : 2 port

Available Model	Model Name	Description
	IDS-5011	Industrial 1-port RS232 to 1-port 10/100Base-T(X) Device Server