

1. Introduction

EX-9065D series provides 5 relay output channels and 4 isolated digital input channels. all relay output channels are differential with individually common . (See Sec. 1.2.1 Block diagram)

Specifications

Interface : RS-485, 2 wires

Speed : 1200, 2400, 4800, 9600, 19.2K, 38.4K, 57.6K,115.2K

Output channels: 5 relay output channels (Form A)

Relay contact rating : 5A/250VAC, 5A/30VDC

Surge strength: 4000V

Operate Time: 6mS max.

Release Time: 3mS max.

Min Life: 10⁵ ops.

Input channels : 4 isolated input channels with common source

Isolation Voltage: 3750Vrms.

Input impedance: 3K ohms

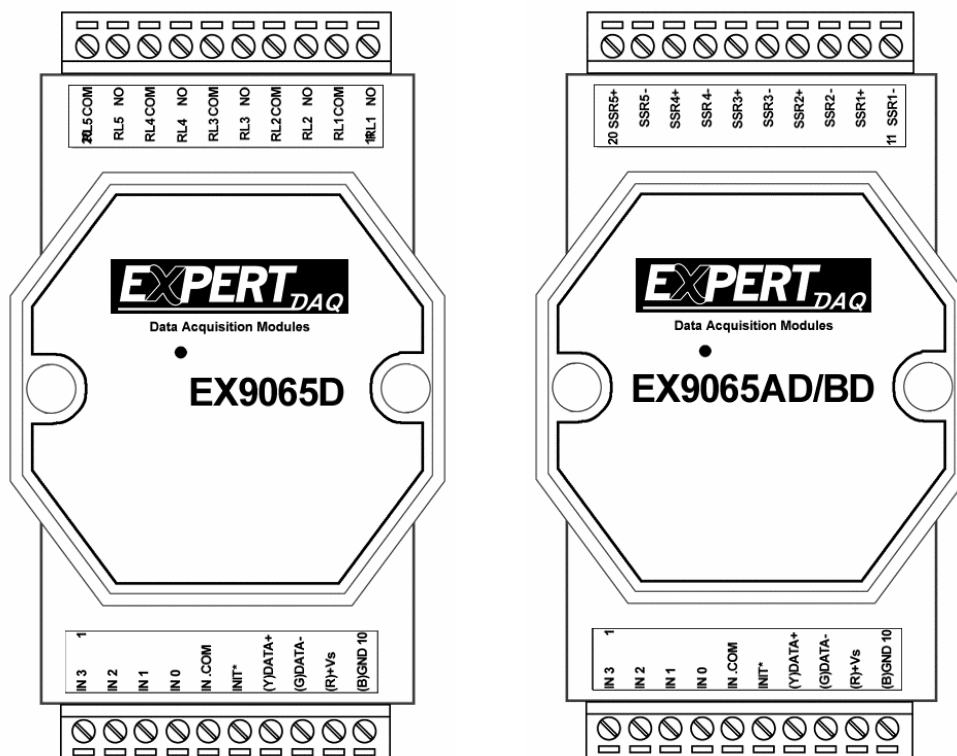
Input logical level 0 : +1V Max.

Input logical level 1: +4.0V ~ +30V

LED: 11 digital input/output status LED

Power input : +10V to +30VDC

Power Consumption : 1.5W

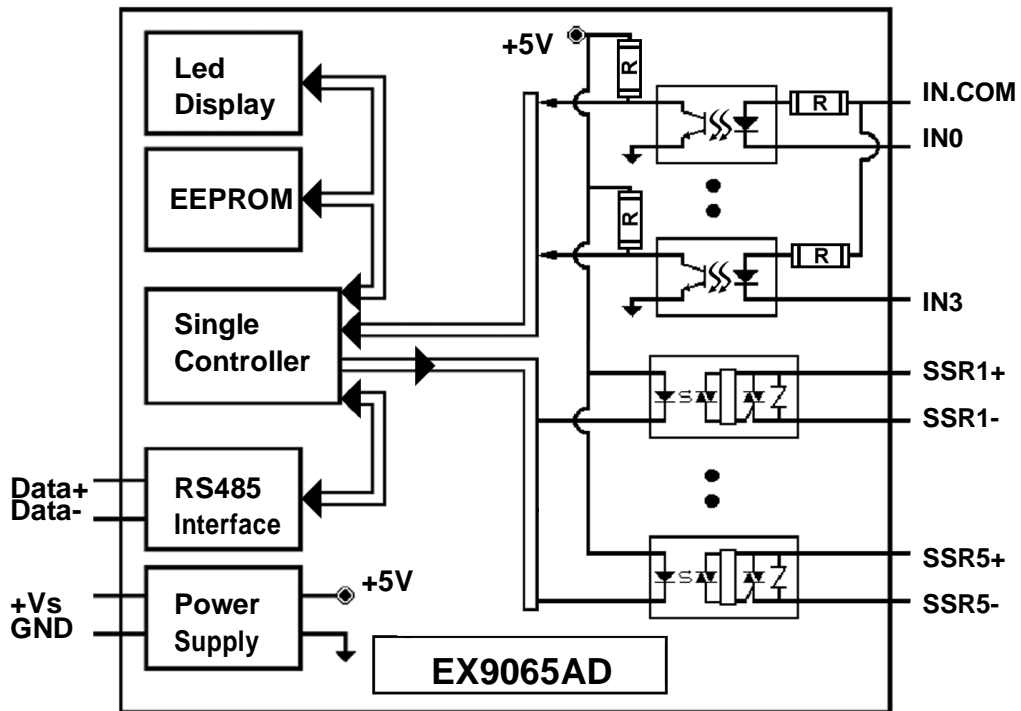
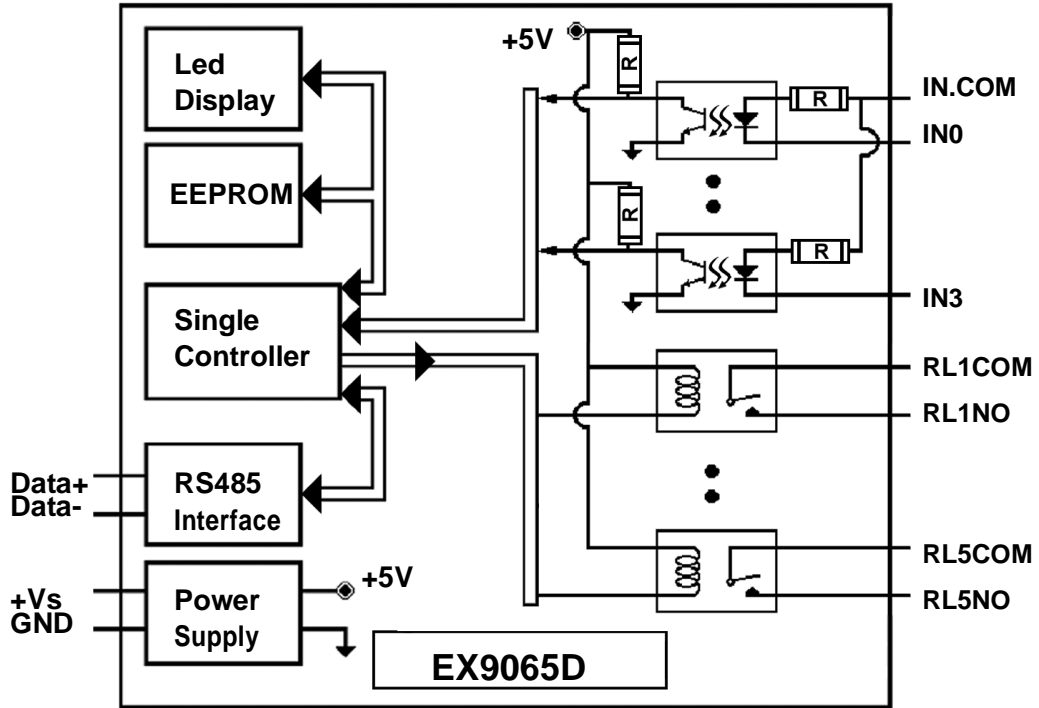


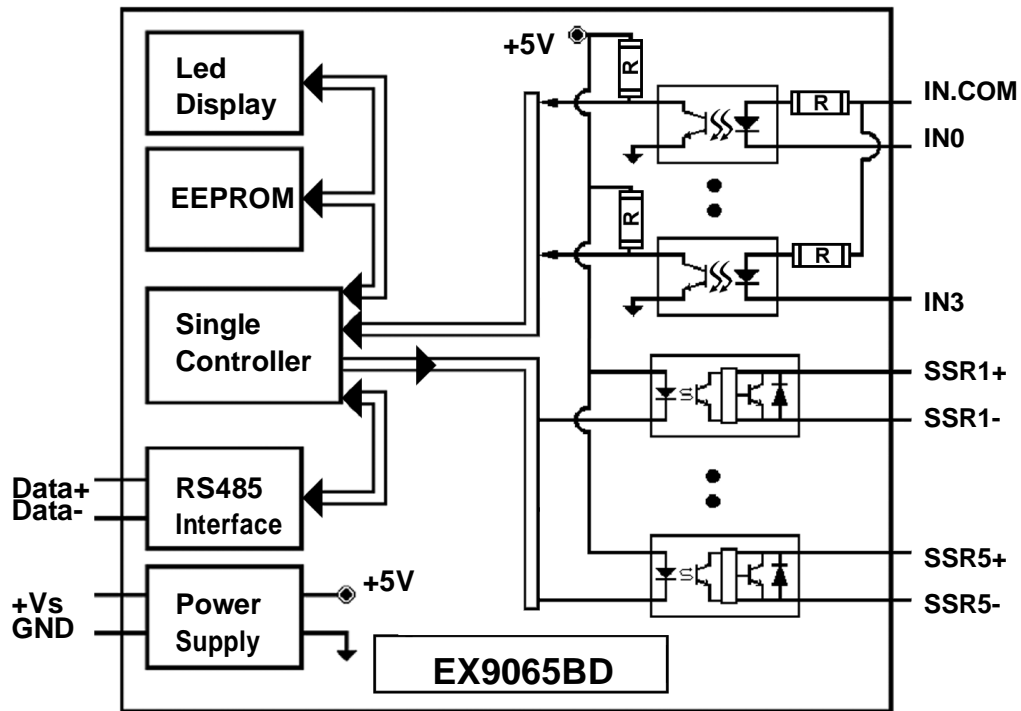
1.1 Specifications

	EX-9065D	EX-9065AD	EX-9065BD
Digital Output			
Output Channels	5 Relay Output Channels		
Relay Type	Form A	AC-SSR, Normal Open	DC-SSR, Normal Open
	Contact Rating: 5A@250VAC 5A@30VDC Surge Strength: 4000V Operate Time: 6mS Max Release Time: 3mS Max Min. Life: 10 ⁵ ops	Load Voltage Range: 24 to 265 Vrms Leakage Current: 1.5mArms Max Load Current: 1.0Arms Min. Operate Time: 1mS Min. Release Time: 1/2 cycle+1mS Dielectric Strength: 2500Vrms	Load Voltage Range: 3 to 30 VDC Leakage Current: 0.1mA Max Load Current: 1.0A Min. Operate Time: 1mS Min. Release Time: 1mS Dielectric Strength: 2500Vrms
Digital Input			
Input Channels	4 isolated input channels with common source		
Logical Level 1	+4V to +30V		
Logical Level 0	+1V Max		
Input Impedance	3K Ohms		
Isolation Voltage	3750Vrms		
Environment			
Power Requirement	+10 to +30 VDC		
Power Consumption	2.2W	1.6W	1.5W
Operating Temperature	-25°C to +75°C		
Storage Temperature	-30°C to +75°C		

1.2 Wire connection

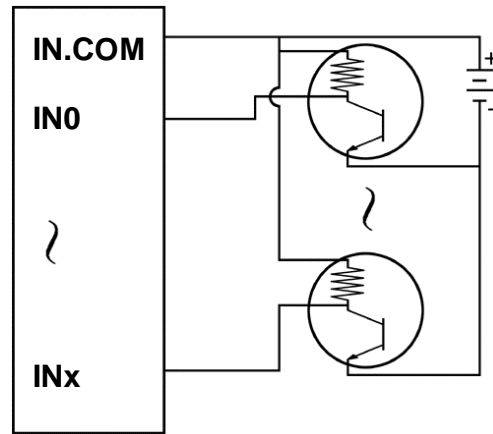
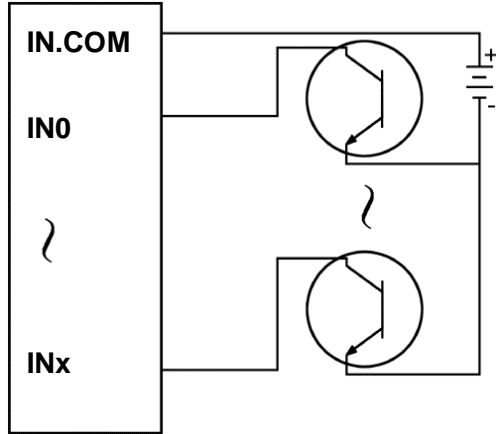
1.2.1 Block Diagrams



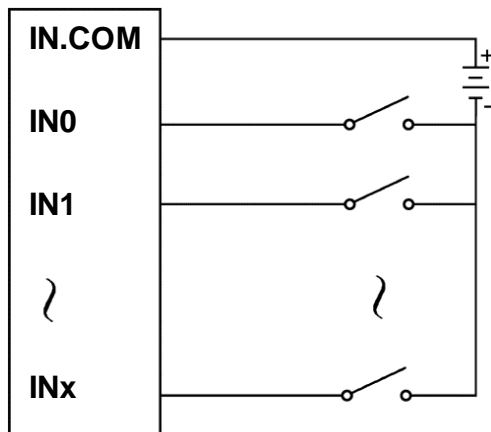


1.2.2 Wiring diagram for the EX-9065D

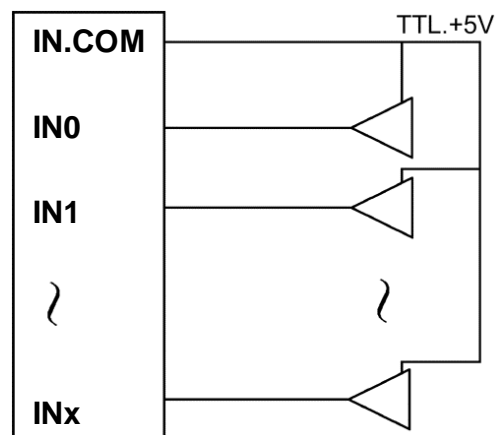
Open Collector signal Input



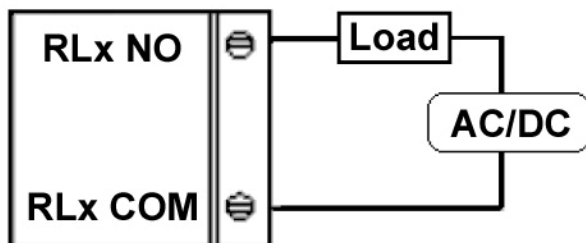
Dry Contact signal Input



TTL/CMOS signal Input



Relay output



1.3 Default Settings

Default settings for the EX-9065D/AD/BD modules are as follows:

- . Module Address: 01
- . DIO Type: 40
- . Baud Rate: 9600 bps

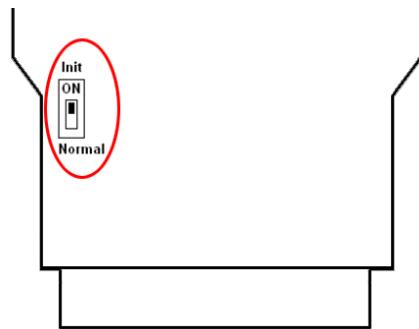
Default settings for the EX-9065D-M/AD-M/BD-M modules are as follows:

- . Protocol: Modbus RTU
- . Module Address: 01
- . DIO Type: 40
- . Baud Rate: 9600 bps

1.4 INIT* Mode Operation

Each EX9000 module has a build-in EEPROM to store configuration information such as address, type, baudrate and other information. Sometimes, user may forget the configuration of the module. Therefore, the EX9000 have a special mode named "INIT* mode" to help user to resolve the problem. The "INIT* mode" is setting as Address=00, Baudrate=9600bps, no Checksum .

Originally, the INIT* mode is accessed by connecting the INIT* terminal to the GND terminal. New EX9000 modules have the INIT* switch located on the rear side of the module to allow easier access to the INIT* mode. For these modules, INIT* mode is accessed by sliding the INIT* switch to the Init position as shown below.



To enable INIT* mode, please following these steps:

Step1. Power off the module

Step2. Connect the INIT* pin with the GND pin.

(or sliding the INIT* switch to the Init* ON position)

Step3. Power on

Step4. Send command \$002 (cr) in 9600bps to read the Configuration stored in the module's EEPROM.

There are commands that require the module to be in INIT* mode.

They are:

1. %AANNTTCFF when changing the Baud Rate and checksum settings. See Section 2.1 for details.
2. \$AAPN, See Section 2.18 for details.

1.5 Module Status for DIO, AIO

Power On Reset or **Module Watchdog Reset** will let all output goto **Power On Value**. And the module may accept the host's command to change the output value.

Host Watchdog Timeout will let all output goto **Safe Value**. The module's status(read by command~AA0) will be 04, and the output command will be ignored.

1.6 Dual Watchdog Operation for DIO, AIO

Dual Watchdog=Module Watchdog + Host Watchdog

The Module Watchdog is a hardware reset circuit to monitor the module's operating status. While working in harsh or noisy environment, the module may be down by the external signal. The circuit may let the module to work continues and never halt.

The Host Watchdog is a software function to monitor the host's operating status. Its purpose is to prevent the network from communication problem or host halt. When the timeout interval expired, the module will turn all outputs to predefined Safe Value. This can prevent the controlled target from unexpected situation.

The EX9000 module with Dual Watchdog may let the control system more reliable and stable.

1.7 Reset Status

The Reset Status is set while the module power on or reset by module watchdog and is cleared while the command read Reset Status (\$AA5) applied. This is useful for user to check the module's working status. When the Reset Status is set means the module is reset and the output may be changed to the PowerOn Value. When the Reset Status is clear means the module is not rested and the output is not changed.

1.8 Digital O/P

The module's output have 3 different situation:

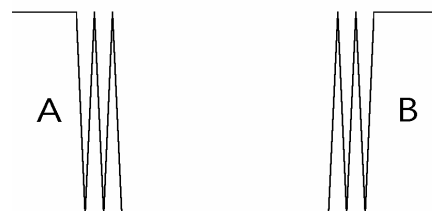
<1>**Safe Value.** If the host watchdog timeout status is set, the output is set to Safe Value. While the module receive the output command like @AA(Date) or #AABBDD, the module will ignore the command and return "!". And will not change the output to the output command value. **The host watchdog timeout status is set and store into EEPROM while the host watchdog timeout interval expired and only can be cleared by command ~AA1.** If user want to change the output it need to clear the host watchdog timeout status firstly and send output command to change the output into desired value.

<2>**PowerOn Value.** Only the module reset and the host watchdog timeout status is clear, the module's output is set to predefined Power On Value.

<3> **Output Command Value.** If the host watchdog timeout status is clear and user issue a digital output command like @AA (Data) or #AABBDD to module for changing the output value. The module will response success (receive>).

1.9 Latch Digital I/P

For example, use connect the key switch to Digital input channel of a digital input/output module and want to read the key stroke. The Key input is a pulse digital input and user will lost the strike. While reading by command \$AA6 in A and B position, the response is that no key stroke and it will lose the key stroke information. Respectely, the read latch low digital input command \$AAL0 will solve this problem. When issue \$AAL0 command in A and B position, the response denote that there is a low pulse between A and B position for a key stroke.



1.10 Configuration Tables

Baud Rate Setting (CC)

Code	03	04	05	06	07	08	09	0A
Baud rate	1200	2400	4800	9600	19200	38400	57600	115200

Data Format Setting (FF)

7	6	5	4	3	2	1	0
*1	*2	*3					

***1:** Counter Update Direction: 0 =Falling Edge,
1=Rising Edge.

***2:** Checksum Bit : 0=Disable, 1=Enable.

***3:** The reserved bits should be zero.

Read Digital Input/Output Data Format table

Data of \$AA6,\$AA4,\$AALS:(**First Data**)(**Second Data**)00

Data of @AA:(**First Data**)(**Second Data**)

Note: Both the First Data and the Second Data are in two hexadecimal digitals format.

Module	The First data		The Second data	
EX9065D	DO1~DO5	00~1F	DI0~DI3	00~0F

2.0 Command Sets

2.1 %AANNTTCCFF

Description: Set Module Configuration.

Syntax: %AANNTTCCFF[CHK](cr)

%	a delimiter character
AA	address of setting/response module(00 to FF)
NN	new address for setting/response module(00 to FF)
TT	type 40 for DIO module
CC	new baudrate for setting module.
FF	new data format for setting module.

If the configuration with new baudrate or new checksum setting, before using this command, it is needed to short the INIT* to ground (or sliding the INIT* switch to the Init ON position of rear side). The new setting is saved in the EEPROM and will be effective after the next power-on reset.

Response: Valid Command: !AA
 Invalid Command: ?AA

Example:

Command: %0102240600 Receive: !02

Set module address 01 to 02, return Success.

2.2 #**

Description: Synchronized Sampling

Syntax: #**[CHK](cr)

delimiter character

** synchronized sampling command

Response: No response

Example:

Command: #** No response

Send synchronized sampling command to all modules.

Command: \$014 Receive: !10F0000

Read synchronized data from address 01, return S=1, first read and data is 0F0000

Command: \$014 Receive: !00F0000

Read synchronized data from address 01, return S=0, have readed and data is 0F0000

2.3 #AABBDD

Description: Digital Output

Syntax: #AABBDD[CHK](cr)

delimiter character

AA address of reading/response module(00 to FF)

BBDD Output command and parameter

For output multi-channel, the BB=00, 0A or 0B the select which output group, and the DD is the output value

Parameter for Multi-Channel Output					
	Output Channels	DD for command #AABBDD			
		BB=00/0A		BB=0B	
EX9042D	13	00 to FF	DO(0~7)	00 to 1F	DO(8~12)
EX9043D	16	00 to FF	DO(0~7)	00 to 1F	DO(8~15)
EX9044D	8	00 to FF	DO(0~7)	NA	NA
EX9050D	8	00 to FF	DO(0~7)	NA	NA
EX9055D	8	00 to FF	DO(0~7)	NA	NA
EX9060D	4	00 to 0F	RL(1~4)	NA	NA
EX9063D	3	00 to 07	RL(1~3)	NA	NA
EX9065D	5	00 to 1F	RL(1~5)	NA	NA
EX9066D	7	00 to 7F	RL(1~7)	NA	NA
EX9067D	7	00 to 7F	RL(1~7)	NA	NA

For output single-channel, the BB=1c, Ac or Bc where c is the selected channel, and the DD must be 00 to clear output and 01 to set output.

Parameter for Single-Channel Output				
	Single channel output command #AABBDD			
	c for BB=1c/Ac		c for BB=Bc	
EX9042D	0 to 7	DO(0~7)	0 to 4	DO(8~12)
EX9043D	0 to 7	DO(0~7)	0 to 7	DO(8~15)
EX9044D	0 to 7	DO(0~7)	NA	NA
EX9050D	0 to 7	DO(0~7)	NA	NA
EX9055D	0 to 7	DO(0~7)	NA	NA
EX9060D	0 to 3	RL(1~4)	NA	NA
EX9063D	0 to 2	RL(1~3)	NA	NA
EX9065D	0 to 4	RL(1~5)	NA	NA
EX9066D	0 to 6	RL(1~7)	NA	NA
EX9067D	0 to 6	RL(1~7)	NA	NA

Response: Valid Command: >

Invalid Command: ?

Ignore Command: !

Delimiter for ignore the command. The module's host watchdog timeout status is set, and the output is set to Safe Value.

Example:

Command: #021001

Receive: >

Assume module is EX9065D, set address 02 output channel 0 on, return success.

Command: #021001

Receive: >

Assume module is EX9065D, set address 02 output channel 0 on, return ignore, The module's host watchdog timeout status is set, and the output is set to Safe Value.

2.4 #AAN

Description: Read Digital Input Counter from channel N

Syntax : #AAN[CHK](cr)

delimiter character

AA address of reading/response module (00 to FF)

N channel to read

Response: Valid Command: >(Data)

Invalid Command: ?AA

(Data) digital input counter value in decimal, from 00000 to 99999

Example:

Command: #032

Receive: !0300103

Read address 03 digital input counter value of channel 2, return value 103.

Command: #029

Receive: ?02

Read address 02 digital input counter value of channel 9, return the channel is not available.

2.5 \$AA2

Description: Read configuration.

Syntax: \$AA2[CHK](cr)

\$ delimiter character

AA address of reading/response module (00 to FF)

2 command for read configuration

Response: Valid Command: **!AATCCFF**

Invalid Command: **?AA**

TT type code of module, it must be 40

CC baudrate code of module

FF data format of module

Example:

Command: \$012

Receive: !01400600

Read the configuration of module 01, return DIO mode, baudrate 9600, no checksum.

Note: check configuration Tables

2.6 \$AA4

Description: Reads the synchronized data

Syntax: \$AA4[CHK](cr)

\$ delimiter character

AA address of reading/response module (00 to FF)

4 command to read the synchronized data

Response: Valid Command: **!S(Data)**

Invalid Command: **?AA**

S status of synchronized data, 1=first read, 0=been readed

(Data) synchronized DIO value. See Section 1.10 for data format.

Example:

Command: \$014

Receive: ?01

Read address 01 synchronized data, return no data available.

Command: #**

no response

Send synchronized sampling to all modules.

Command: \$014

Receive: !1070000

Read address 01 synchronized data, return S=1, first read, and synchronized data 0700

2.7 \$AA5

Description: Read Reset Status

Syntax: \$AA5[CHK](cr)

\$ delimiter character

AA address of reading/response module (00 to FF)

5 command for read reset status

Response: Valid Command: **!AAS**

Invalid Command: **?AA**

S reset status, 1=the module is been reset, 0=the module is not been rested

Example:

Command: \$ 015

Receive: !011

Read address 01 reset status, return module is been reset

Command: \$ 015

Receive: !010

Read address 01 reset status, return no reset occurred.

2.8 \$AA6

Description: Read Digital I/O Status

Syntax: \$AA6[CHK](cr)

\$ delimiter character

AA address of reading/response module (00 to FF)

6 command for read channel status

Response: Valid Command: **!(Data)**

Invalid Command: **?AA**

(Data) **(First Data)(Second Data)00**

Note: Both the First Data and the Second Data are in two hexadecimal digitals format.

Module	The First data		The Second data	
EX9065D	DO1~DO5	00~1F	DI0~DI3	00~0F

Example:

Command: \$016

Receive: !070000

Assume module is EX9065, read address 01 DIO status, return 0700, digital output channel 1~3 are on, digital input channel 0~3 are off.

2.9 \$AAF

Description: Read Firmware Version

Syntax: \$AAF[CHK](cr)

\$ delimiter character

AA address of reading/response module (00 to FF)

F command for read firmware version

Response: Valid Command: **!AA(Data)**

Invalid Command: **?AA**

(Data) Firmware version of module

Example:

Command: \$01F

Receive: !01D03.11

Read address 01 firmware version, return version D03.11

2.10 \$AAM

Description: Read Module Name

Syntax: \$AAM[CHK](cr)

\$ delimiter character

AA address of reading/response module (00 to FF)

M address of reading/response module(00 to FF)

Response: Valid Command: **!AA(Data)**

Invalid Command: **?AA**

(Data) Name of module

Example:

Command: \$01M

Receive: !019065

Read address 01 module name, return name 9065

2.11 \$AAC

Description: Clear Latched Digital Input

Syntax: \$AAC[CHK](cr)

\$ delimiter character

AA address of reading/response module (00 to FF)

C command for clear latched digital input

Response: Valid Command: !**AA**

Invalid Command: ?**AA**

Example:

Command: \$01L0

Receive: !010F0F00

Read address 01 latch-low data, return 0F0F.

Command: \$01C

Receive: !01

Clear address 01 Latched data, return success.

Command: \$01L0

Receive: !000000

Read address 01 latch-low data, return 0000.

2.13 \$AALS

Description: Read Latched Digital Input

Syntax: \$AALS[CHK](cr)

\$ delimiter character

AA address of reading/response module (00 to FF)

L command for read latched digital input

S 1=select latch high status, 0=select latch low status

Response: Valid Command: **!(Data)**

Invalid Command: **?AA**

(Data) readed status 1=the input channel is latched, 0=the input channel is not latched.

Example:

Command: \$01L1

Receive: !012300

Read address 01 latch-high data, return 0123.

Command: \$01C

Receive: !01

Clear address 01 Latched data, return success.

Command: \$01L1

Receive: !000000

Read address 01 latch-high data, return 0000.

2.14 @AA

Description: Read Digital I/O Status

Syntax: @AA[CHK](cr)

@ delimiter character

AA address of reading/response module (00 to FF)

Response: Valid Command: >(Data)

Invalid Command: ?AA

(Data) (First Data)(Second Data)

Note: Both the First Data and the Second Data are in two hexadecimal digitals format.

Module	The First data		The Second data	
EX9065	DO1~DO5	00~1F	DI0~DI3	00~0F

Example:

Command: @01

Receive: >0700

Assume module is EX9065M, read address 01 DIO status, return 0700, digital output channel 1~3 are on, digital input channel 0~3 are off.

2.15 @AA(Data)

Description: Set Digital I/O Status

Syntax: @AA(Data)[CHK](cr)

@ delimiter character

AA address of reading/response module (00 to FF)

(Data) output value, the data format is following:

(Data) is one character for output channel less than 4

For EX9060D, from 0 to F

For EX9063D, from 0 to 7

(Data) is two characters for output channel less than 8

For EX9044D/50D/55D, from 00 to FF

For EX9065D, from 00 to 1F

For EX9066D/67D, from 00 to 7F

(Data) is four characters for output channel less than 16

For EX9042D, from 0000 to 1FFF

For EX9043D, from 0000 to FFFF

Response: Valid Command: >

Invalid Command: ?

Ignore Command: !

! delimiter for ignore command. The module is in Host Watchdog Timeout Mode, and the output is set to safe value.

Example:

Command: @017 Receive: >

Output address 01 value 7, return success.(The example is suitable for EX9065's digital output channel 1~3 are on)

2.16 ~AAO(Data)

Description: Set Module Name

Syntax: ~AAO(Data)[CHK](cr)

~ delimiter character

AA address of reading/response module (00 to FF)

O command for set module name

(Data) new name for module, max 6 characters

Response: Valid Command: !**AA**

 Invalid Command: ?**AA**

Example:

Command: ~01O9065M

Receive: !01

Set address 01 module name 9065M, return success.

Command: \$01M

Receive: !019065M

Read address 01 module name, return name 9065M.

2.17 \$AAP (Only for EX9065M)

Description: Read protocol information of Module

Syntax: \$AAP[CHK](cr)

\$ delimiter character

AA address of reading/response module (00 to FF)

P command for read protocol information of module

Response: Valid Command: **!AAS**

Invalid Command: **?AA**

S The protocol supported by the module

10: the protocol set in EEPROM is Normal mode

11: the protocol set in EEPROM is ModbusRTU mode

Example:

Command: \$01P

Receive: !0110

Reads the communication protocol of module 01 and returns a response of 10 meaning the protocol that will be used at the next power on reset is normal mode.

Command: \$01P1

Receive: !01

Sets the communication protocol of module 01 to Modbus RTU and returns a valid response. And the next power on reset is in ModbusRTU mode.

2.18 \$AAPN (Only for EX9065M)

Description: Set the protocol information of Module

Syntax: \$AAPN[CHK](cr)

\$ delimiter character

AA address of reading/response module (00 to FF)

P command for set protocol information of module

N The protocol supported by the module

0: the protocol set in EEPROM is Normal mode

1: the protocol set in EEPROM is ModbusRTU mode

Before using this command, it is needed to short the INIT* to ground. The new protocol is saved in the EEPROM and will be effective after the next power-on reset.

Response: Valid Command: !AA

Invalid Command: ?AA

Example:

Command: \$01P1

Receive: !01

Sets the communication protocol of module 01 to Modbus RTU and returns a valid response. And the next power on reset is in ModbusRTU mode.

2.19 ~**

Description: Host OK

Host send this command to all modules for send the information "Host OK"

Syntax: ~**[CHK](cr)

~ delimiter character

** command for all modules

Response: No response

Example:

Command: ~**

No response

2.20 ~AA0

Description: Read Module Status

Syntax: ~AA0[CHK](cr)

~ delimiter character

AA address of reading/response module (00 to FF)

0 command for read module status

Response: Valid Command: **!AASS**

 Invalid Command: **?AA**

SS module status, 00=host watchdog timeout status is clear,04=host watchdog timeout status is set. The status will store into EEPROM and only may reset by the command ~AA1.

2.21 ~AA1

Description: Reset Module Status

Syntax: ~AA1[CHK](cr)

~ delimiter character

AA address of reading/response module (00 to FF)

1 command for reset module status

Response: Valid Command: !**AA**

Invalid Command: ?**AA**

2.22 ~AA2

Description: Read the Host Watchdog Timeout Value

Syntax: ~AA2[CHK](cr)

~ delimiter character

AA address of reading/response module (00 to FF)

2 command for read host watchdog timeout value

Response: Valid Command: !**AAEVV**

Invalid Command: ?**AA**

E host watchdog enable status, 1=Enable, 0=Disable

VV timeout value in HEX format, each count is 0.1 second

01=0.1 second and FF=25.5 seconds

Reset the host watchdog timer. Wait for about 10 seconds and don't send command~**, the LED of module will go to flash. The flash LED indicates the host watchdog timeout status is set.

Command: ~010

Receive: !0104

Read address 01 module status, return host watchdog timeout status is set.

Command: ~012

Receive: !01064

Read address 01 host watchdog timeout value, return that host watchdog is disabled, and time interval is 10.0 seconds.

Command: ~011

Receive: !01

Reset address 01 host watchdog timeout status, return success And the LED of this module stop flash.

Command: ~010

Receive: !0100

Read address 01 module status, return host watchdog timeout status is clear.

2.24 ~AA4V

Description: Read Power On/Safe Value

Syntax: ~AA4V[CHK](cr)

~ delimiter character
AA address of reading/response module (00 to FF)
4 command for read Power On/Safe value
V P= read Power On Value, S= read Safe Value

Response: Valid Command: !**AA(Data)**

Invalid Command: ?**AA**

(Data) Power On Value or Safe Value

For EX9042D/43D(Data) is **VVVV**,

where **VVVV** is the Power On Value (or Safe Value).

For other modules, (Data) is **VV00**,

where **VV** is the Power On Value(or Safe Value).

Example:

Command: @0100 Receive: >

Output address 01 Value 00, return success.

Command: ~015S Receive: !01

Set address 01 Safe Value, return success.

Command: @01FF Receive: >

Output address 01 Value FF, return success..

Command: ~015P Receive: !01

Set address 01 Power On Value, return success.

Command: ~014S Receive: !0100
Read address 01 Safe Value, return 00.

Command: ~014P Receive: !01FF
Read address 01 Power On Value, return FF.

2.25 ~AA5V

Description: Set Power On/Safe Value

Syntax: ~AA5V[CHK](cr)

~ delimiter character

AA address of reading/response module (00 to FF)

5 command for set Power On/Safe value

V P= set current output as Power On Value, S= set current output as Safe Value

Response: Valid Command: !**AA**

Invalid Command: ?**AA**

Example:

Command: @017 Receive: >

Output address 01 Value 7, return success.

Command: ~015P Receive: !01

Set address 01 Power On Value, return success.

Command: @011 Receive: >

Output address 01 Value 1, return success.

Command: @015S Receive: !01

Set address 01 Safe Value, return success..

Command: ~014P Receive: !010700

Read address 01 Power On Value, return 07.

Command: ~014S Receive: !010100

Read address 01 Safe Value, return 01.

EX9065-M Quick Start

- 1. The default setting is MODBUS mode after Power On.**
- 2. Using INIT pin to contact with GND pin then Power On will enter Normal mode.**
- 3. Command: \$00P0 is set EX9065D-M to Normal mode after Repower On. On normal mode, user can set other setting like Address, Baudrate, (Please check the EX9000 user manual).**
- 4. Command: \$AAP1 is set to MODBUS mode after Repower On.**
- 5. Under Normal mode that Command: \$AAP can check which mode it is after Repower On.**

Response:

!AA10=Normal

!AA11=MODBUS

01(0x01) Read Digital Input/Output Value

Request

00	Address	1 Byte	1-247
01	Function code	1 Byte	0x01
02~03	Starting channel	2 Bytes	0x0000~0x0004 for DO readback value 0x0020~0x0023 for DI readback value 0x0040~0x0043 for DI Latch high value 0x0060~0x0063 for DI Latch low value 0x0080~0x0084 for DO safe value 0x00A0~0x00A4 for DO power-on value
04~05	Input/Output channel numbers	2 Bytes	Input: 0x0001~0x0004 Output: 0x0001~0x0005

Response

00	Address	1 Byte	1-247
01	Function code	1 Byte	0x01
02	Byte count	1 Byte	1
03	Input/Output channel readback value	1 Byte	0x00~0xFF A bit corresponds to a channel. When the bit is 1 it denotes that the value of the channel that was set is ON. if the bit is 0 it denotes that the value of the channel that was set is OFF.

Error Response

00	Address	1 Byte	1-247
01	Function code	1 Byte	0x81
02	Exception code	1 Byte	Refer to the Modbus standard for more details.

02(0x02) Read Digital Input Value

Request

00	Address	1 Byte	1-247
01	Function code	1 Byte	0x02
02~03	Starting channel	2 Bytes	0x0000~0x0003
04~05	Input channel numbers	2 Bytes	0x0001~0x0004

Response

00	Address	1 Byte	1-247
01	Function code	1 Byte	0x02
02	Byte count	1 Byte	1
03	Input channel readback value	1 Byte	0x00~0xFF A bit corresponds to a channel. When the bit is 1 it denotes that the value of the channel that was Input response. if the bit is 0 it denotes that the value of the channel that was no Input response .

Error Response

00	Address	1 Byte	1-247
01	Function code	1 Byte	0x82
02	Exception code	1 Byte	Refer to the Modbus standard for more details.

03(0x03) Read Digital Input Count Value

Request

00	Address	1 Byte	1-247
01	Function code	1 Byte	0x03
02~03	Starting channel	2 Bytes	0x0000~0x0003
04~05	Input channel numbers	2 Bytes	0x0001~0x0004

Response

00	Address	1 Byte	1-247
01	Function code	1 Byte	0x03
02	Byte count	1 Byte	N* x 2
03~	Input channel count value	N* x 2 Byte	Each channel can record a maximum count value up to 65535(0xFFFF).

N*=Number of input channels

Error Response

00	Address	1 Byte	1-247
01	Function code	1 Byte	0x83
02	Exception code	1 Byte	Refer to the Modbus standard for more details.

04(0x04) Read Digital Input Count Value

Request

00	Address	1 Byte	1-247
01	Function code	1 Byte	0x04
02~03	Starting channel	2 Bytes	0x0000~0x0003
04~05	Input channel numbers	2 Bytes	0x0001~0x0004

Response

00	Address	1 Byte	1-247
01	Function code	1 Byte	0x04
02	Byte count	1 Byte	N* x 2
03~	Input channel count value	N* x 2 Byte	Each channel can record a maximum count value up to 65535(0xFFFF).

N*=Number of input channels

Error Response

00	Address	1 Byte	1-247
01	Function code	1 Byte	0x84
02	Exception code	1 Byte	Refer to the Modbus standard for more details.

05(0x05) Write Digital Output/Clear DI count Value (Single channel)

Request

00	Address	1 Byte	1-247
01	Function code	1 Byte	0x05
02~03	Output channel number	2 Bytes	0x0000~0x0004 for output channel 0x0107 to clear the latch value 0x0200~0x0203 to clear the DI counter value
04~05	Output value	2 Bytes	A value of 0xFF00 sets the output to ON. A value of 0x0000 set it to OFF. All other values are illegal and won't affect the coil.

Response

00	Address	1 Byte	1-247
01	Function code	1 Byte	0x05
02~03	Output channel numbers	2 Bytes	The value is the same as byte 02 and 03 of the Request
04~05	Output value	2 Bytes	The value is the same as byte 04 and 05 of the Request

Error Response

00	Address	1 Byte	1-247
01	Function code	1 Byte	0x85
02	Exception code	1 Byte	Refer to the Modbus standard for more details.

15(0x0F) Write Digital Output/Clear DI count Value (Multi channel)

Request

00	Address	1 Byte	1-247
01	Function code	1 Byte	0x0F
02~03	Starting channel	2 Bytes	0x0000~0x0004 for output channel 0x0200~0x0203 to clear the DI counter value 0x0080~0x0084 for Safe value 0x00A0~0x00A4 for Power-on value
04~05	Input/Output channel numbers	2 Bytes	Input: 0x0001~0x0004 Output: 0x0001~0x0005
06	Byte count	1 Byte	1
07	Output value/Clear DI count value	1 Byte	0x00~0xFF A bit corresponds to a channel. When the bit is 1 it denotes that the value of the channel that was set is ON. if the bit is 0 it denotes that the value of the channel that was set is OFF.

Response

00	Address	1 Byte	1-247
01	Function code	1 Byte	0x0F
02~03	Starting channel	2 Bytes	The value is the same as byte 02 and 03 of the Request
04~05	Output channel numbers	2 Bytes	The value is the same as byte 04 and 05 of the Request

Error Response

00	Address	1 Byte	1-247
01	Function code	1 Byte	0x8F
02	Exception code	1 Byte	Refer to the Modbus standard for more details.

01(0x01) Read WDT timeout status

Request

00	Address	1 Byte	1-247
01	Function code	1 Byte	0x01
02~03	Starting channel	2 Bytes	0x010D
04~05	Read WDT timeout status	2 Bytes	0x0001

Response

00	Address	1 Byte	1-247
01	Function code	1 Byte	0x01
02	Byte count	1 Byte	1
03	Read WDT timeout status	1 Byte	0x00 The WDT timeout status is clear 0x01 The WDT timeout status is enable

Error Response

00	Address	1 Byte	1-247
01	Function code	1 Byte	0x81
02	Exception code	1 Byte	Refer to the Modbus standard for more details.

03(0x03) Read WDT timeout Value

Request

00	Address	1 Byte	1-247
01	Function code	1 Byte	0x03
02~03	Starting channel	2 Bytes	0x01E8
04~05	Read WDT timeout value	2 Bytes	0x0001

Response

00	Address	1 Byte	1-247
01	Function code	1 Byte	0x03
02	Byte count	1 Byte	2
03~	Read WDT timeout value	1 Byte	0x0000~0x00FF WDT timeout value, 0~255, in 0.1 second

Error Response

00	Address	1 Byte	1-247
01	Function code	1 Byte	0x83
02	Exception code	1 Byte	Refer to the Modbus standard for more details.

03(0x03) Send Host OK

Request

00	Address	1 Byte	1-247
01	Function code	1 Byte	0x03
02~03	Starting channel	2 Bytes	0x3038
04~05	Send Host OK	2 Bytes	0x0000

No Response

04(0x04) Send Host OK

Request

00	Address	1 Byte	1-247
01	Function code	1 Byte	0x04
02~03	Starting channel	2 Bytes	0x3038
04~05	Send Host OK	2 Bytes	0x0000

No Response

05(0x05) Set WDT timeout /Clear WDT timeout status

Request

00	Address	1 Byte	1-247
01	Function code	1 Byte	0x05
02~03	WDT timeout	2 Bytes	0x0104 Set WDT timeout enable/disable 0x010D Clear WDT timeout status
04~05	WDT timeout	2 Bytes	0xFF00 for WDT timeout enable 0x0000 for WDT timeout disable 0xFF00 for Clear WDT timeout status

Response

00	Address	1 Byte	1-247
01	Function code	1 Byte	0x05
02~03	WDT timeout	2 Bytes	The value is the same as byte 02 and 03 of the Request
04~05	WDT timeout	2 Bytes	The value is the same as byte 04 and 05 of the Request

Error Response

00	Address	1 Byte	1-247
01	Function code	1 Byte	0x85
02	Exception code	1 Byte	Refer to the Modbus standard for more details.

06(0x06) Set WDT timeout Value

Request

00	Address	1 Byte	1-247
01	Function code	1 Byte	0x06
02~03	Starting channel	2 Bytes	0x01E8
04~05	WDT timeout value	2 Bytes	0x0000~0x00FF WDT timeout value, 0~255, in 0.1 second

Response

00	Address	1 Byte	1-247
01	Function code	1 Byte	0x06
02~03	WDT timeout value	2 Bytes	The value is the same as byte 02 and 03 of the Request
04~05	WDT timeout value	2 Bytes	The value is the same as byte 04 and 05 of the Request

Error Response

00	Address	1 Byte	1-247
01	Function code	1 Byte	0x86
02	Exception code	1 Byte	Refer to the Modbus standard for more details.

Modbus Mapping Table:

EX9065M (DI*4, DO*5)

ADDR	Item	Attribute
00033~00036	Digital Input channel for DI0~3	R
00065~00068	DI Latch high value for DI0~3	R
00097~00100	DI Latch low value for DI0~3	R
00264	Clear the Latch value	W
30001~30004	Digital input counter for DI0~3	R
00513~00516	Clear the DI counter value for DI0~3	W
00001~00005	Digital output channel for DO1~4	R/W